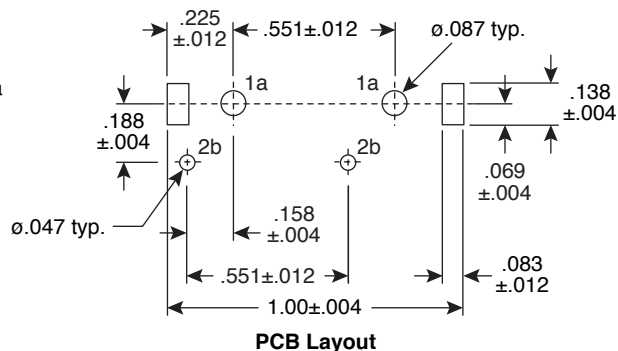
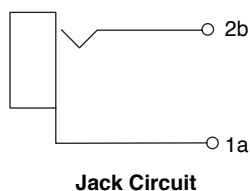
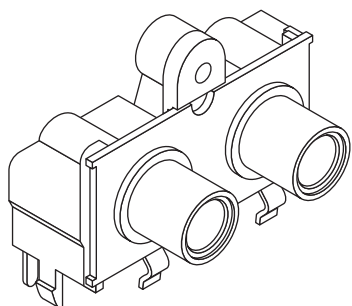
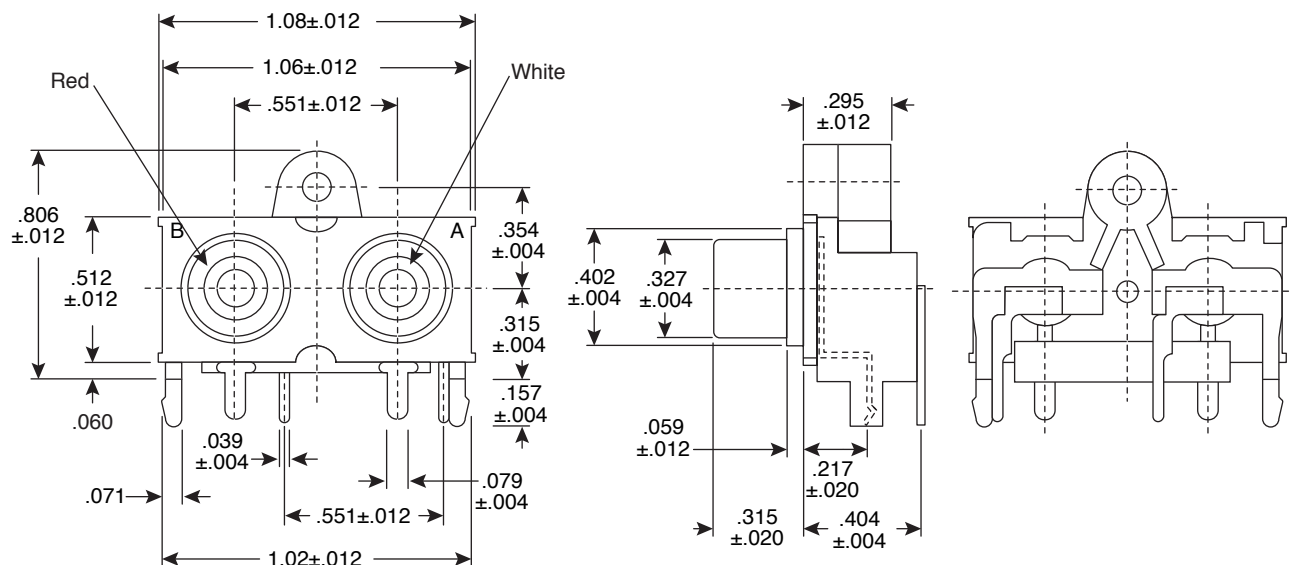


PCB Dual Phono Jacks

161-4218-E, 161-4220-E



PCB Dual Phono Jacks



Dimensions: In.

MOUSER STOCK NO.	Finish
161-4218-E	Nickel Plated
161-4220-E	Gold Plated

SPECIFICATIONS	
Type:	PCB Dual Phono Horizontal Mount
Rated Voltage:	DC/AC 34V
Rated Current:	DC/AC 2A
Temperature Range:	-25° ~ +70°C
Humidity Range:	85% RH max.
Insulator, Base, Cover:	ABS
Earth Terminal:	Nickel Plated Brass
Terminals:	Tin Plated Brass
Insulator Color:	Red / White

Date Last Revised: 5-31-06

Available from Mouser Electronics
1-800-346-6873
www.mouser.com

KC-300972

161-4218-E, 161-4220-E