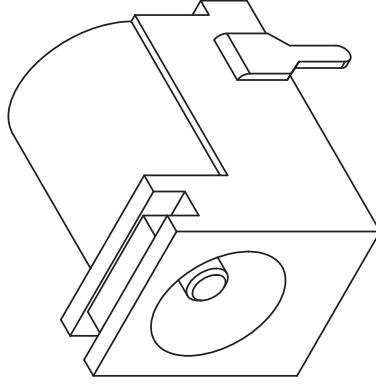
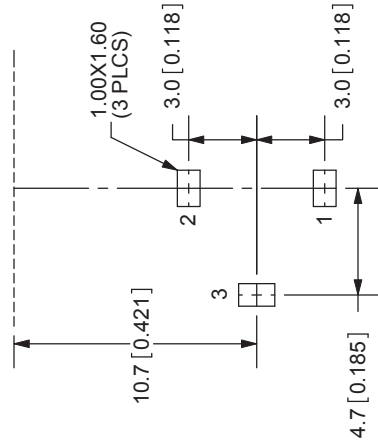
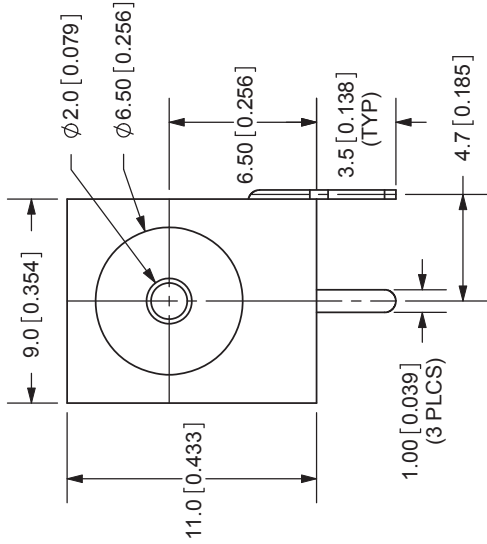
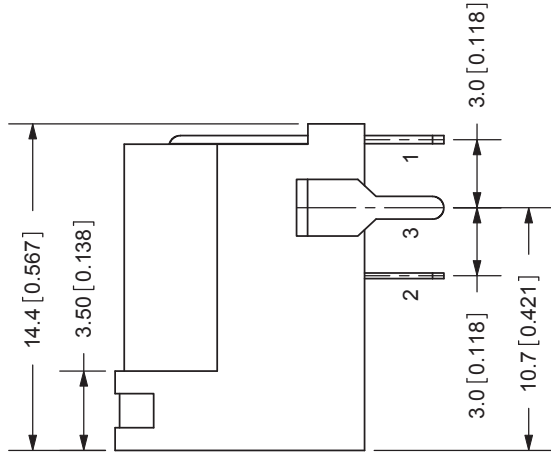


REV. A	DESCRIPTION NEW DRAWING	DATE 11/17/2005
-----------	----------------------------	--------------------



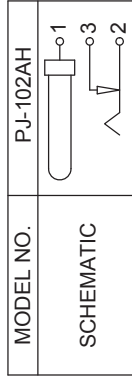
TOLERANCE:
X.X ±0.2mm
X.XX ±0.1mm
X.XXX ±0.05mm



20050 SW 112th Ave.
Tualatin, OR 97062
Phone: 503-612-2300
800-275-4899
Fax: 503-612-2383
Website: www.cui.com

SPECIFICATIONS:
RATING: 24V DC @ 5A
CONTACT RESISTANCE: 50m OHMS MAX
INSULATION RESISTANCE: 50M OHMS MIN; 100V DC
VOLTAGE WITHSTAND: 500V AC R.M.S. FOR 1 MINUTE
LIFE: 5,000 CYCLES
OPERATING TEMP: -25° ~ +85°C

CENTER PIN	MATERIAL	PLATING
TERMINAL 1	Copper	Nickel
TERMINAL 2	Brass	Silver
TERMINAL 3	Copper Alloy	Silver
HOUSING	Brass	Silver
	PBT	



CENTER PIN DIAMETER 2.0mm Dia.

TITLE: DC POWER JACK	REV: A
PART NO: PJ-102AH	UNITS: MM [INCHES]
DRAWN BY: ZRJ	APPROVED BY:
	SCALE: 3:1