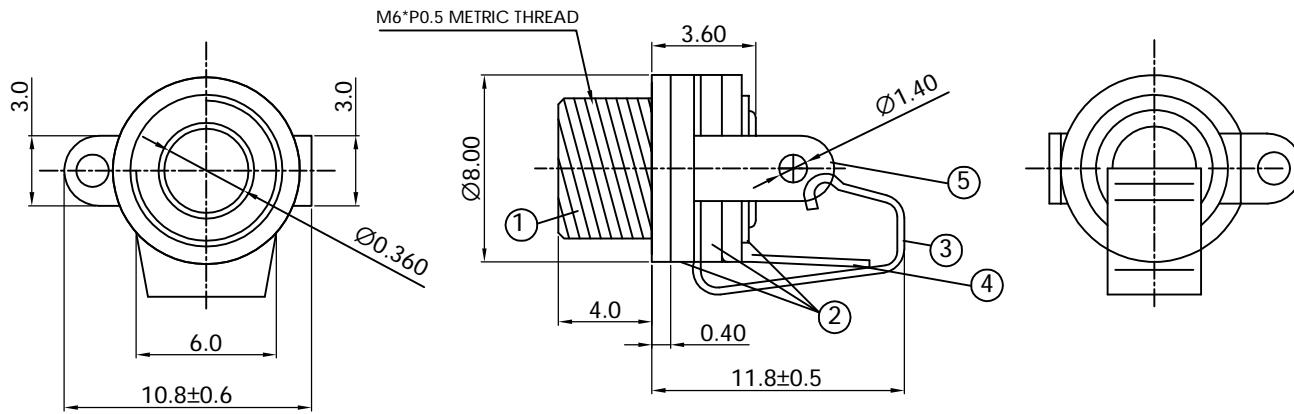


環保物料專用
RoHS compliant



Specifications

Current Rating :1.0A

Voltage Rating :16V DC

Operating Temperature Range :-40°C~+105°C

Contact resistance :30mΩ Max

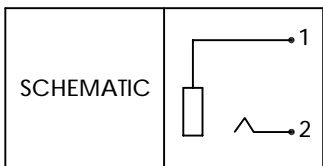
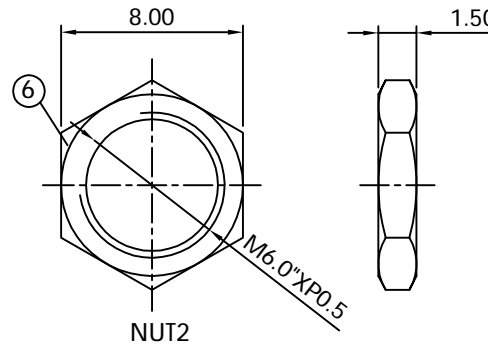
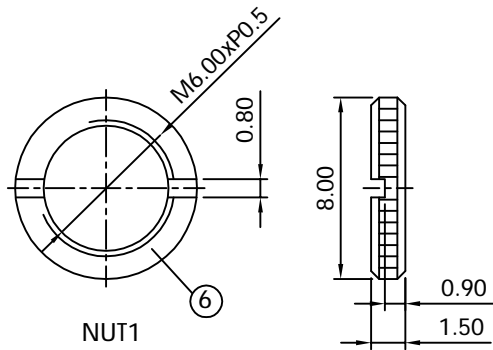
Insulation resistance :100MΩ Min(DC500V)

Withstanding voltage :500VAC/minute

Insertion and extraction force 3-20N

Life Test :5000 Cycles.

Material And Finish :See Tab.



6.	Nut	Brass	1	Ni Plated
5.	Earth Terminal	Brass	1	Ni Plated
4.	Break Terminal	Brass	1	Sn Plated
3.	Tip Spring	Phosphor Bronze	1	Sn Plated
2.	Insulator	Bakelite	3	Natural
1.	Barrel(W/Thread)	Brass	1	Ni Plated
NO.	Description	Material	QTY	Finish



DESCRIPTION(內容):
Phone Jack

DRAWN(製圖):
Tom Liu
CHECKED(確認):
Jack Wu

GENERAL TOLERANCE

LINEAR ANGLES

X.: ±0.80 X°: ±1.0°

X.X: ±0.50 X.X°: ±0.8°

X.XX: ±0.30 X.XX°: ±0.5°

X.XXX: ±0.20 X.XXX°: ±0.3°

REV:

A/1

UNIT:

mm

SHEET:

1/1

REV

1

2

3

4

DESCRIPTION

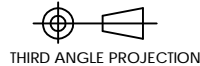
ORIGINAL

DATE

Aug-27-2019

A4

SCALE(比例):
1:XX



PART NO:
(料 號) PJ-314M-1
DWG NO(圖號): KWTF190827-002

APPROVAL(核准):
Kane He